

SUZUKI

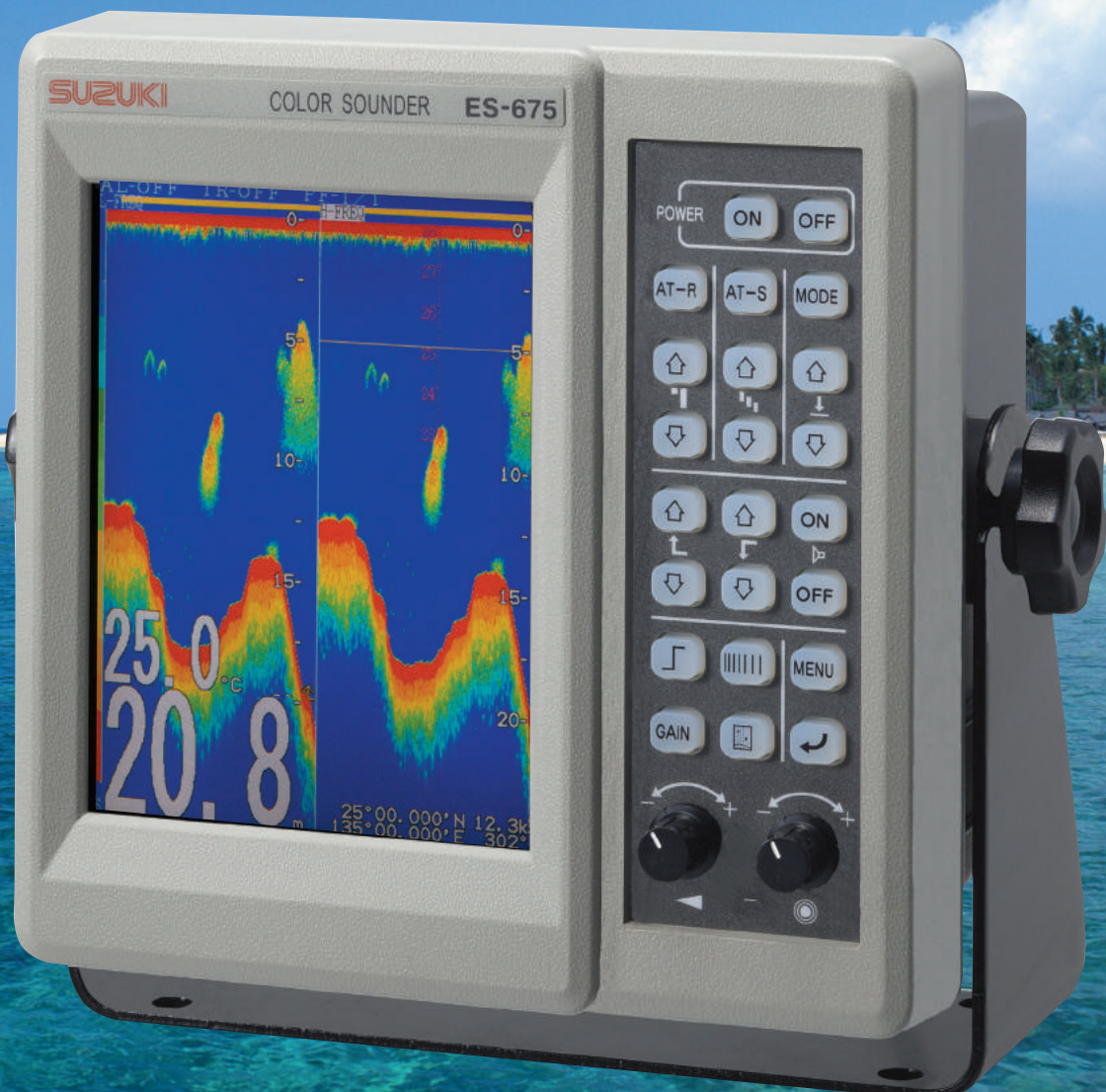
ES-675

6.5" COLOR
ECHO SOUNDER

High Performance 6.5" Color LCD VGA Panel

Dual frequency 50kHz and 200kHz transmitted alternately

Easily-Readable Font applied on Screen



FEATURES

High- Performance, 6.5-inch LCD panel

High brightness, resolution (640x480 pixels) LCD panel provides sharp echo image on the screen

Dual Frequency 50kHz and 200kHz transmitted alternately

The dual frequency operation assures better discrimination using 200kHz frequency and deeper range and penetration using 50kHz frequency

Easily- Readable Font applied on Screen

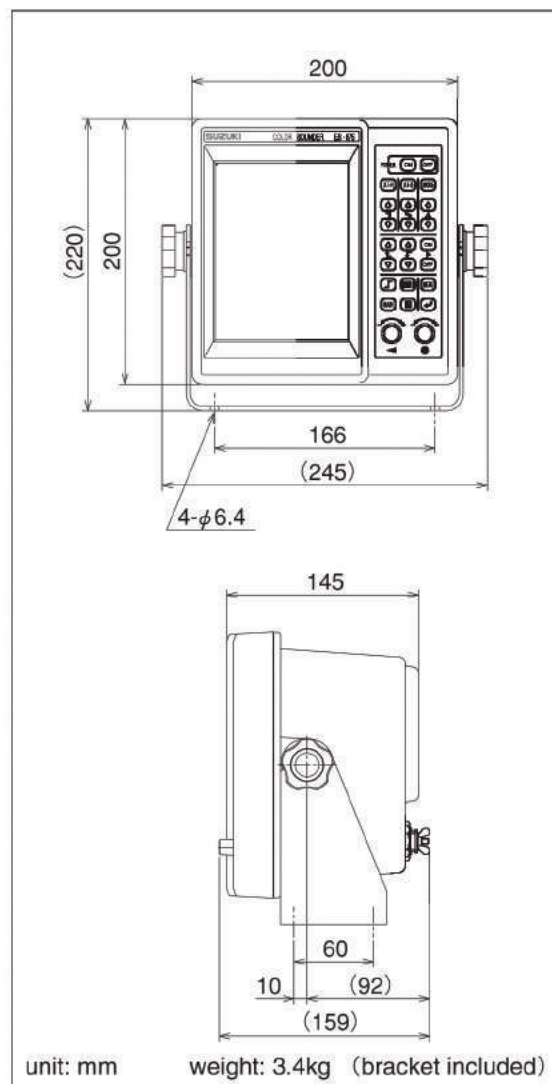
Readable text (depth, water temperature and so on) on screen from a distance

Color Presentation, 8 colors/16 colors

Brilliant presentation on fish and bottom reading in 16 colors

3000/Max. Transmit-Interval of 1 minute

High-speed transmissions make it possible to reduce the loss of detection of targets during moving



SPECIFICATIONS

*Optional equipment is required.

Basic Ranges	0 - 5, 10, 15, 20, 30, 40, 50, 60, 70, 80, 90, 100, 150, 200, 300, 400, 500, 600, 700, 800, 900, 1000 m. fm. or br. 0 - 20, 30, 40, 50, 60, 70, 80, 90, 100, 200, 300, 400, 500, 600, 700, 800, 900, 1000, 1500, 2000, 2500, 3000 ft			
Range Phasing	The upper range limit may be set per 2/5 of the basic range up to 999m, br. fm. or 2999ft			
Partial Expansion Ranges	0 - 1, 2.5, 5, 10, 20, 50, 100, 250 m. fm. or br. / 0 - 5, 10, 20, 50, 100, 250, 500, 1000 ft			
Frequency	Dual frequency 50 and 200kHz transmitted alternately			
Display Modes	1. Single Low Frequency 3. Single Frequency + Bottom Expansion 5. Dual Frequency + Bottom Expansion 7. Color Palette Set Menu		2. Single High Frequency 4. Dual Frequency 6. Function Set Menu	
Digital Displays	1. Depth 5. Temperature Graph*	2. Depth Scale 6. Lat / Lon*	3. Temperature* 7. Speed*	4. Temperature Scale* 8. Course*
Function Display	Auto Range, Auto Shift, Alarm, Picture Speed, Noise Reduction			
Other Display Data	Time Marker, Color Scale, Alarm Marker			
Other Functions	Prior Frequency, STC, Gain Control, TVG, D-Range, Color Selection, Interference Reduction, Clutter, Temperature Adjustment, White Line, Alarms (Shallow, Deep, Fish), Brightness Control,			
External Input	Water Temperature Sensor* (OP-102, OP-41-1), Water Temperature Data* (NMEA-0183 [MTW]), Navigational Data* (NMEA-0183 [RMC, GGA, GLL, VTG and so on])			
External Output	NMEA-0183 (MTW,DBT)*			
Screen	High-Resolution 6.5 inch VGA Color LCD Display (640x480 pixels, 8 or 16 colors)			
Power Requirement	DC 10.5 - 30V, 16W			

SUZUKI FISH FINDER CO., LTD.

12-1 MAMIZUKA-CHO, TOYOHASHI, AICHI, 441-8007 JAPAN
 TEL: 81-532-32-7511
 FAX: 81-532-32-7500
<http://www.suzukiff.co.jp/>
sales@suzukiff.co.jp

Specifications are subject to change without notice.



**TORKAR
MARİN**
Elektronik Servis ve Ticaret A.Ş.

Ortaklar Cad. Nur Apt. No.:11 D:3
 34394 Mecidiyeköy - İSTANBUL
 Tel.: 90(212) 217 97 47-217 97 48
 Fax.:90(212) 217 97 45
 e-mail: torkarmarin@dposta.net
 Web : www.torkarmarin.com