

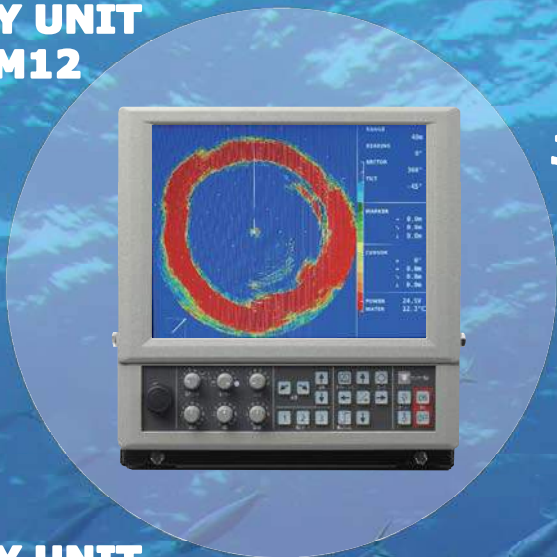
COLOR TFT LCD (12.1" or 15") DISPLAY SONAR
MBB (BOX SYSTEM) SONAR

SUZUKI
SUZUKI FISH FINDER CO.,LTD.

SEARCHLIGHT SONAR

S-1900

**DISPLAY UNIT
S-1900M12**

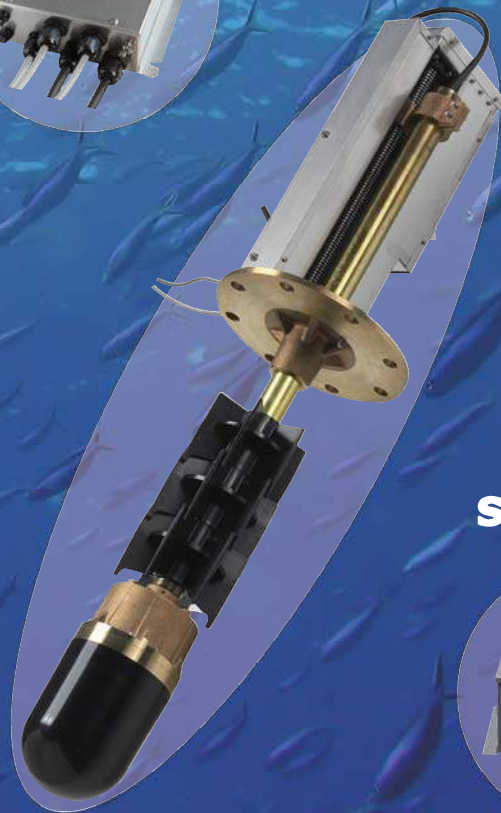
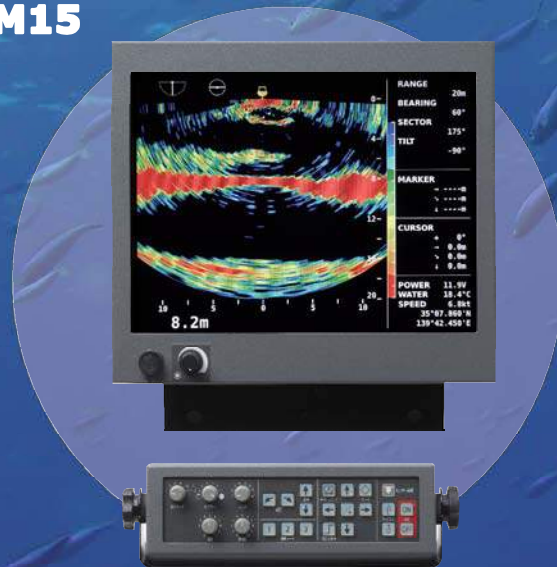


JUNCTION BOX



**HULL UNIT
S-1900H80
S-1900H140
S-1900H180**

**DISPLAY UNIT
S-1900M15**



S-1900MBB



◆ **DSP TECHNOLOGY**
brings about outstanding performance
in 16 colors
1024x768 pixels

◆ **LED BACKLIGHT SYSTEM**
high image quality and low power
consumption LCD with LED backlight
system

FEATURES

◆ **FREQUENCY**
80kHz • 140kHz • 180kHz

◆ **SPACE SAVING INSTALLATION**

COLOR SEARCHLIGHT SONAR

SPECIFICATIONS

DISPLAY UNIT

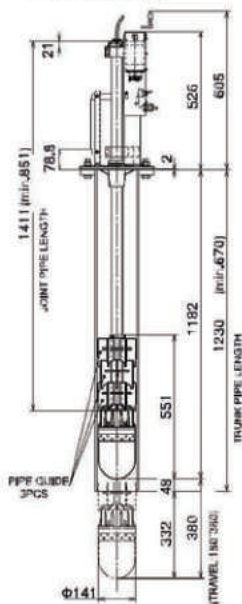
MODEL	S-1900M12	S-1900M15	S-1900MBB
DISPLAY	12.1" color TFT LCD	15" color TFT LCD	custom monitor
WEIGHT	9kg (M.bracket included)	12kg (keyboard included)	5kg (keyboard included)
POWER	10.5 ~ 30VDC	20 ~ 30VDC	10.5 ~ 30VDC
RANGE	8 ranges 0~10~200 (unit:meters,feet,fathoms and bracia)		
S.ANGLE (sonar)	(5°step) 5° 25° 45° 85° 125° 165° 205° 360° (10°step) 10° 30° 50° 90° 130° 170° 210° 360°		
S.ANGLE (bottom)	(3°step) 3° 27° 45° 63° 93° 117° 147° 177° (5°step) 5° 25° 45° 65° 95° 115° 145° 175°		
S.CENTER	every 5° step selectable		
TILT	5° ~ 0° ~ -90° (in 1°step)		
DISPLAY MODE	Sonar Mode+Info,Off-Center+Info Full-Screen Sonar Mode (360°covarege) Bottom-Scan Mode+Info,Sounder Mode+Info		
SUB-DISPLAY	Historical Display,+Press Display Vertical Display (auto,manual),Wake Display,EXT,FF Display		
FUNCTION	Operation mode,Off-Center,Train Correct,Power Reduction, Gain Adjust,Temp.Adjust,Pulse Width Control,TVG Change Target Lock, Color Change,Dynamic Range,Interference Reduction,Threshold,Filter, Gain Control,Trigger Signal Output,Hoist Sensor Lamp,Audio*,Stabilizer, Soundome Automatic Retract*,Mark,Full-Screen Control		
INPUT	Trigger,Navigator,External Sounder,Remote Controller		
OUTPUT	External Buzzer,Trigger,NMEA,XGA,Audio,USB		

*optional equipment is required

DIMENSIONS

UNIT: mm

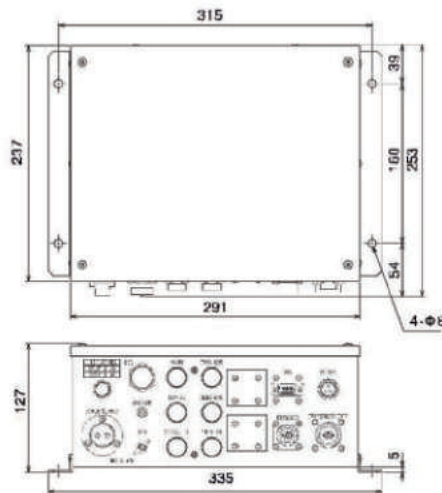
HULL UNIT S-1900H80 S-1900H140 S-1900H180



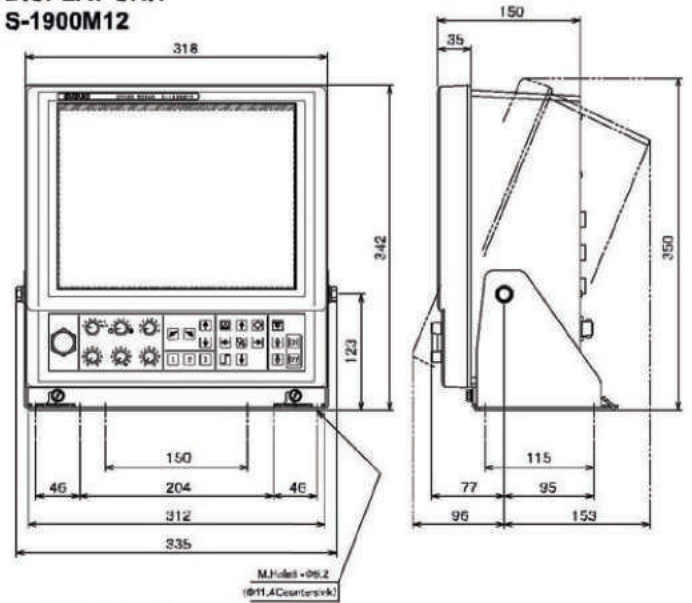
WEIGHT 33kg

JOINT PIPE LENGTH=TRUNK PIPE LENGTH-181cm

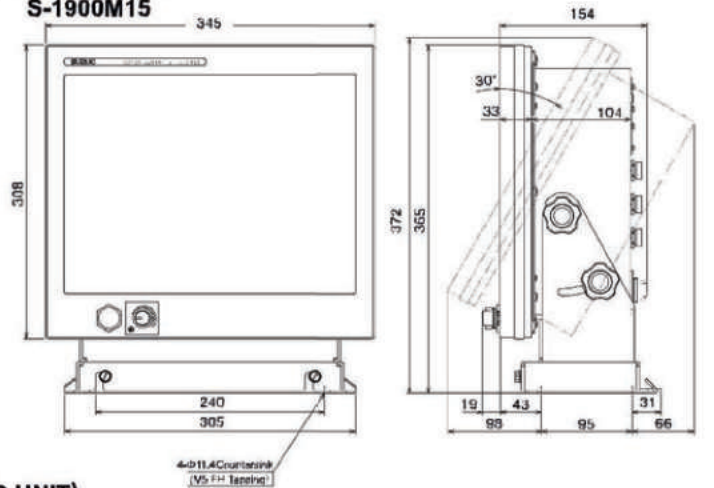
CONTROL UNIT S-1900MBB (connected to KEYBOARD UNIT)



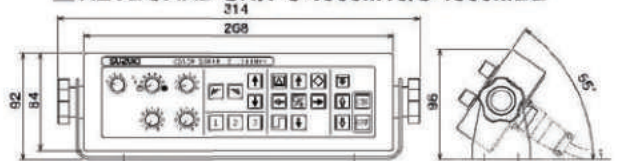
DISPLAY UNIT S-1900M12



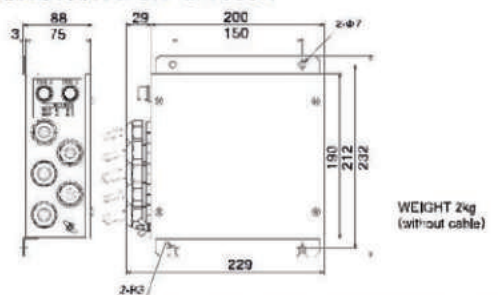
DISPLAY UNIT S-1900M15



KEYBOARD UNIT S-1900M15/S-1900MBB



JUNCTION BOX S-1900H



- ※ For safty use, be sure to read the operation manual before using the S-1900.
- ※ Specifications are subject to change without notice.
- ※ Colors used in this catalog are subject to differ from actual colors.

SUZUKI FISH FINDER CO.,LTD.

12-1, Mamizuka-cho, Toyohashi, Aichi, 441-8007 Japan

TEL (81)532-32-7511 FAX (81)532-32-7500

e-mail address: sales@suzukiff.co.jp

URL: http://www.suzukiff.co.jp/



TORKAR MARIN

Elektronik Servis ve Ticaret A.Ş.

Ortaklar Cad. Nur Apt. No.:11 D:3
34394 Mecidiyeköy - İSTANBUL
Tel.: 90(212) 217 97 47-217 97 48
Fax.:90(212) 217 97 45
e-mail: torkarmarin@dposta.net
Web : www.torkarmarin.com