

**Display section**

PPI image by TFT liquid crystal color display  
 Monitor : 19 inch liquid crystal color display

**Display colors**

Sonar image : 32/16-color display(can be changed in menu)  
 Characters : 4-color display  
 Marker : 2-color display

**Display modes**

Sonar image : 3 orientation modes can be selected  
 (RM Heading, FM true bearing, TM true bearing \*External signals are necessary)  
 Sub area : External input signal indication, audio image, fish finder image and fish tracking information can be displayed.

**Other display function**

Full screen : Sonar image is displayed over display area  
 Multi-screen : Any selected four points on sonar image are displayed like "Frame by Frame" image.

**Off center**

In the RM mode, off center position can be set at any direction.

**Display correction**

Correction of wake mark distance followed by tilt angle can be selected.

**Wake mark**

Wake mark to be indicated on the image can be selected by ON/OFF.

**Own boat mark return function**

In the TM mode, own boat mark returns to the center of screen automatically when the own boat mark reaches to the edge of the screen.

**Display marks**

Own boat mark, wake mark, cross-line cursor, bearing mark, event mark (3 kinds, max.10 event marks each), cast-net mark, distance mark, net mark, audio mark, tidal current mark, set mark, fish tracking mark and other marks. (\*Some marks are displayed only when external signals are input.)

**Screen message**

Standard message  
 Sonar display range, Gain level, Tilt angle, Hoist travel, Audio bearing, Distance from own boat mark to cross-cursor, Horizontal distance, Depth, Bearing, Each distance from own boat mark to event mark (1/2)Horizontal distance and bearing between event marks, Target moving speed, Time and etc.

**Indication interfaced with external equipment (Option)**

Current direction, Current speed, Own boat speed (Current Indicator etc.) , Sea depth (Fish finder/Depth meter), Net depth and water temperature (Net finder), Own boat position, Boat speed, etc. (GPS equipment), Bow bearing (Gyro compass), Water temperature (Water temperature gauge)

**Audio**

Signal : Operational amplifier output (Speaker with amplifier is required as an option)  
 Frequency : 800Hz  
 Audio range : 11°,90° or 180° (selectable)

**Display range**

Horizontal sonar ranges :  
 150, 200, 250, 300, 400, 500, 600, 700, 800, 900, 1000, 1200, 1400, 1500, 1600, 1800, 2000, 2500, 3000, 4000, 5000m.  
 Any 15 kinds of display ranges can be selected. In Off-center mode, ranges can be displayed 1.5 times longer (not available over 5000m)

Fish finder image depth ranges:  
 One out of the display range among 50, 100, 150, 200, 300, 400, 500, 600, 800 or 1000m can be selected.

**Other functions**

Clutter, Discrimination, Interference removal filter, TVG, AGC, RCG, Variable beam width (Vertical or horizontal directivity angle can be changed)

**Transmitter & Receiving features**

Transducer frequency  
 SCS-24 C : 24KHz (nominal frequency)  
 SCS-24 D : 28KHz (nominal frequency)  
 SCS-50 G : 43KHz (nominal frequency)  
 SCS-50 H : 50KHz (nominal frequency)  
 Receiving method : Super heterodyne method, real-time beam method and forming method  
 Transmission method : OMNI transmission  
 Beam width (at -3dB)  
 Transmission : Horizontal 360° x Vertical 10°  
 Receiving : Horizontal 14° x Vertical 12°

**External signal input**

NMEA0183 (Ver.1.5, Ver.2.0 and Ver.3.0)  
 Latitude/longitude (GGA, GLL), Speed and Course (VTG), Heading (HDT, HDM, HDG),  
 Water temperature (MTW), Water depth (DPT, DPS), Wind direction and velocity (MWV, MWD),  
 Current speed and direction (CUR)

**Remarks**

Signal input may not be available depending on interfaced equipment.

**Tilt angle range**

Manual Tilt : UT 3°~ 0° ~ LT 60° (UT=Upper tilt angle, LT= Lower tilt angle)  
 Automatic Tilt : Four tilt layers can be swung automatically by 2°, 5° or 10° steps from the set tilt angle.

**Hoist unit stroke**

SCS-24 : LL=1350mm/Travelling time: approx. 40 seconds  
 SCS-24 : L=1000mm/Travelling time: approx. 30 seconds  
 SCS-50 : LL=1000mm/Travelling time: approx. 36 seconds  
 SCS-50 : L=600mm/Travelling time: approx. 22 seconds

**Power supply (SCS-24)**

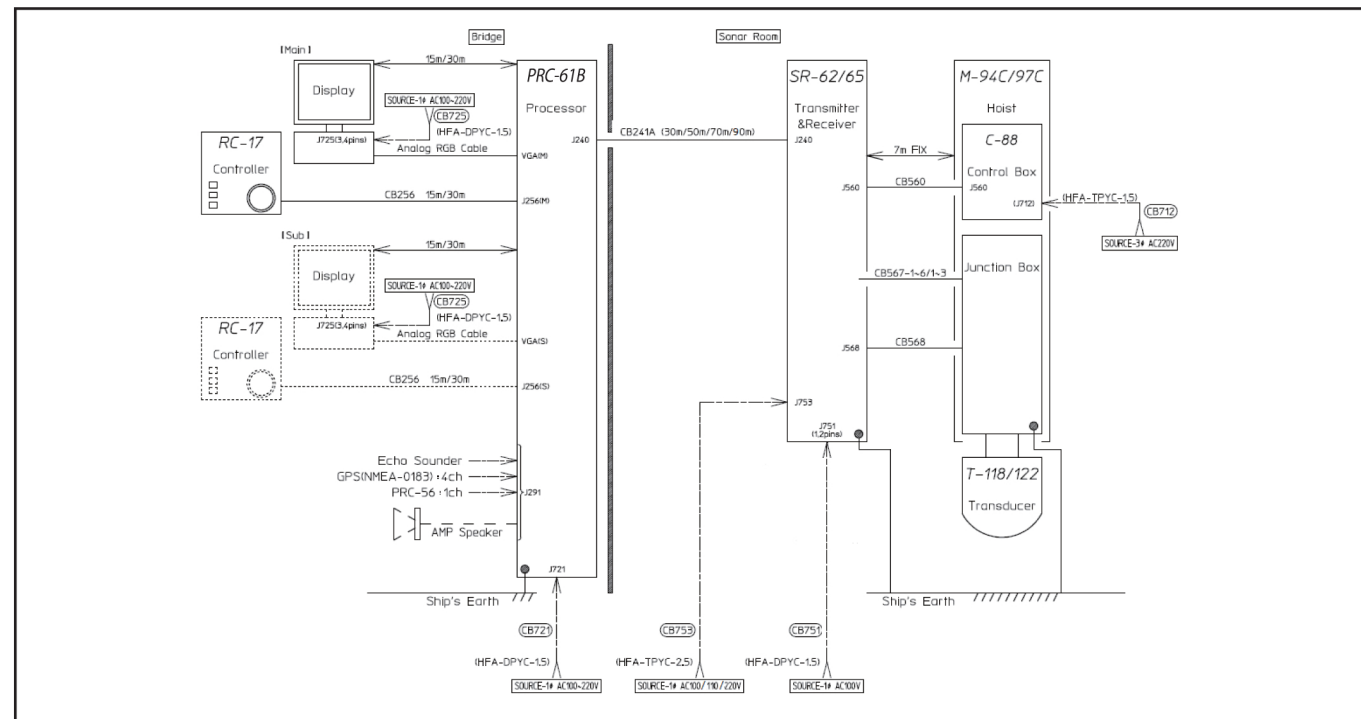
Receiving Single-phase 100VAC, 50/60Hz, 750VA  
 Sending Single-phase 100VAC or 220VAC, 50/60Hz, 3000VA  
 Hoist unit 3-phase 220VAC, 1500VA  
 Processor Single-phase 100~220VAC, 50/60Hz, 400VA

**Power supply (SCS-50)**

Receiving Single-phase 100VAC, 50/60Hz, 600VA  
 Sending Single-phase 100VAC or 220VAC, 50/60Hz, 3000VA  
 Hoist unit 3-phase 220VAC, 750VA  
 Processor Single-phase 100~220VAC, 50/60Hz, 400VA

**Measurement (WxHxD) & Weight**

I-133 LCD	460mmx430mmx345mm	24kg
RC-17 Remote Controller	246mmx158mmx46mm	1kg
PRC-61B Processor Unit	280mmx450mmx388mm	21kg
SR-62 TX/RX Unit (KCS5200)	600mmx697mmx450mm	97kg
SR-65 TX/RX Unit (KCS5500)	600mmx697mmx450mm	97kg
M-94C-LL Hoist Unit (KCS5200)	690mmx3510mmx714mm	500kg
(With T-118 Transducer)		
M-97C-LL Hoist Unit (KCS5500)	640mmx2880mmx580mm	280kg
(With T-122 Transducer)		



**SAFETY PRECAUTION** : Please be sure to read the Instruction Manual before operating  
 ● Specifications are subject to change without prior notice for improvement.



Ortaklar Cad. Nur Apt. No.:11 D:3  
 34394 Mecidiyeköy - İSTANBUL  
 Tel.: 90(212) 217 97 47-217 97 48  
 Fax.: 90(212) 217 97 45  
 e-mail: torokarmarin@dposta.net  
 Web : www.torkarmarin.com

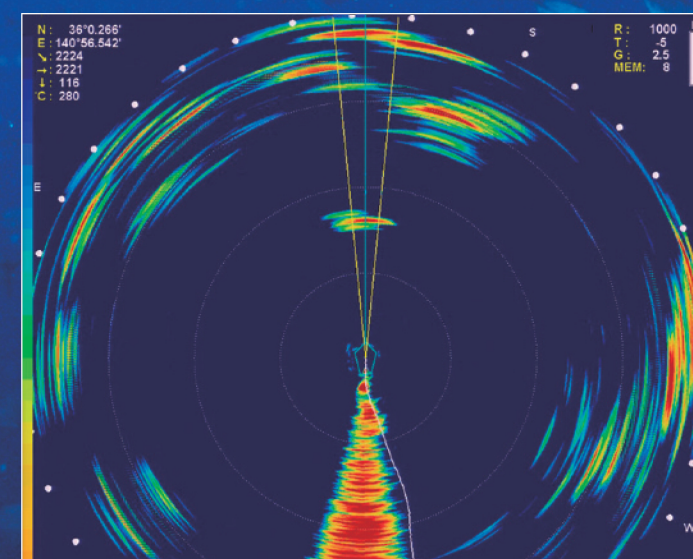
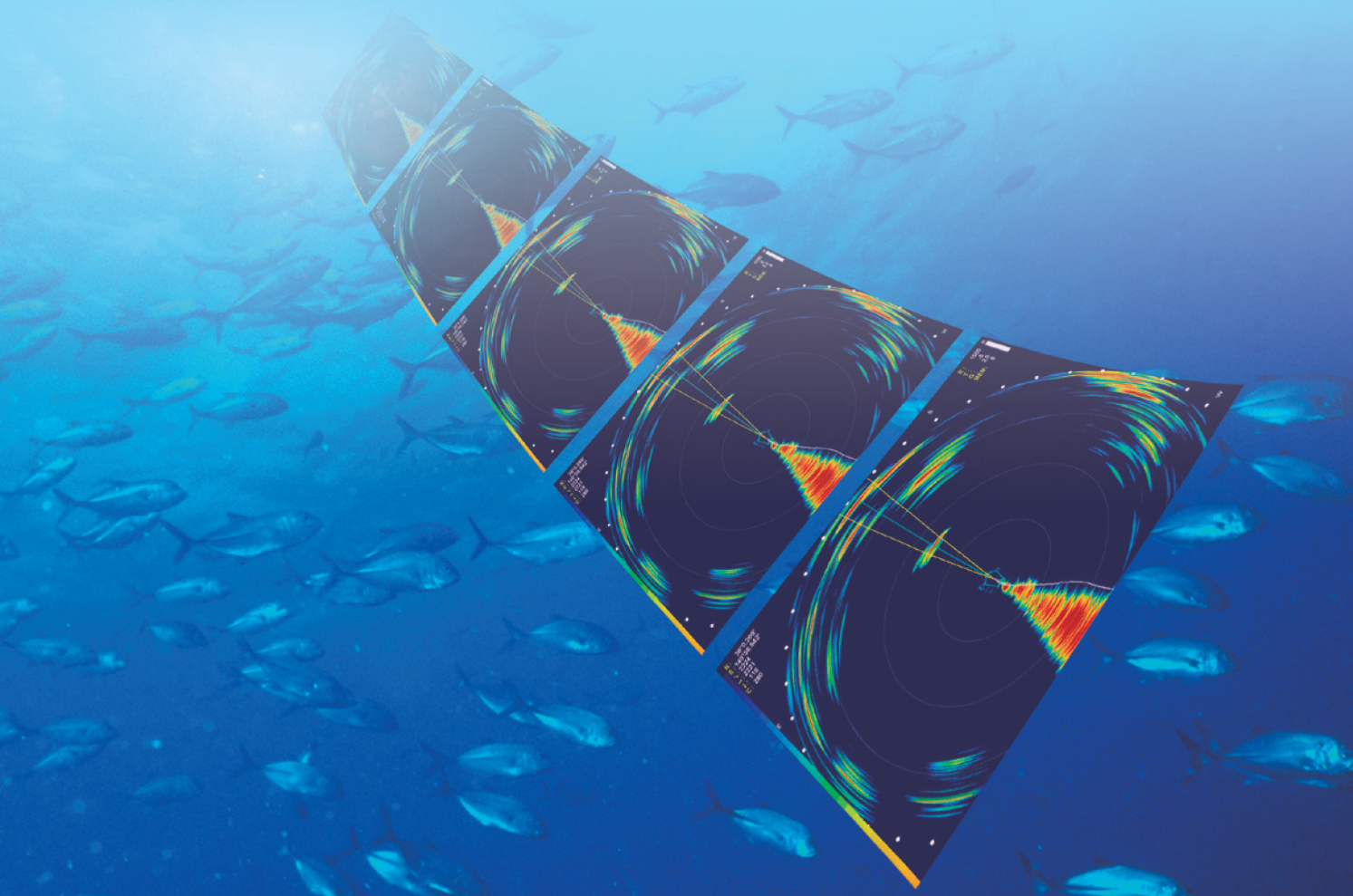


10-22, Higashimatsubara, Hakonegasaki, Mizuhomachi, Nishitama-gun, Tokyo, Japan 190-1295  
 TEL: +81-42-568-3210 FAX +81-42-568-3310  
 Email: info@u-sonic.co.jp URL: www.u-sonic.co.jp

SCS series  
 Low Frequency/Medium Frequency

Full-circle Color Scanning Sonar

# SCS-24/50



Full-circle Color  
Scanning Sonar

SCS series

Low Frequency / Medium Frequency

# SCS-24 / SCS-50

Low frequency enables dramatic longer range detection

Medium frequency enables various kinds of fish detection and distinction from bait

## Even a compact size brings satisfaction to your fishing! Low and Medium frequency with new functions enables greater detection and cost performances

- ➔ One touch memory keys to recall suitable settings for your fishing style and conditions.
- ➔ High precise LCD monitor and easy handling remote controller provide luxury in bridge.
- ➔ Hull unit with guide ring offers safety and toughness.
- ➔ Integrated transmitter and receiver unit offers space saving and easy mounting.
- ➔ Full screen, multi, audio, fish finder screen; Various kinds of display mode.
- ➔ High maintainability and sturdy transducer with a unique dome-structure.

### Compact and cost-effective sonar

The transmitter and receiver units have been integrated into one as a TX/RX unit and have been down-sized for cost-effective and space-saving purposes. The high quality and reliability hull unit with our unique guide ring design offers compact, space saving in installation, and can be used as a 2nd supplementary sonar system in large fishing vessels as well as in middle and small sized fishing vessels.

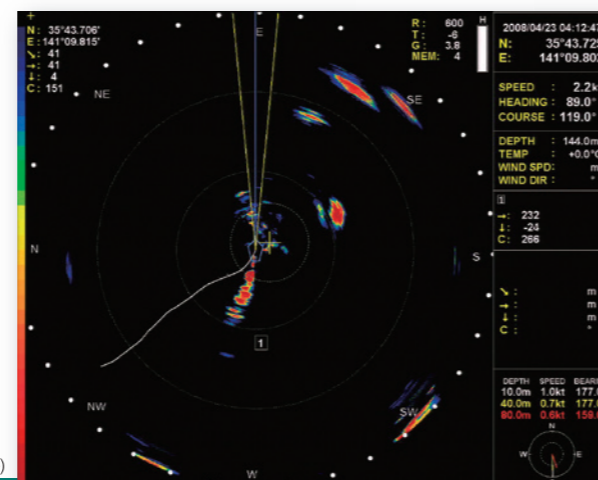
#### Hull unit models

Unit : mm, kg

Sonar System	Hoist Type	Size	Stroke	Total Length	Skirt	Project	Weight
SCS-24	TYPE M-94C-1	LL	1350	3510	1650	1300	500
		L	1000	2810	1300	950	475
SCS-50	TYPE M-97C	LL	1000	2880	1400	950	280
		L	600	2350	1300	550	200

### 1 Performances as if super sonar

The low frequency sonar (SCS-24) provides a greater detection range like our super sonar and the medium frequency sonar (SCS-50) provides a high resolution like that of our high frequency sonars. These two models are available depending on your fishing style, fishing ground and target fish.

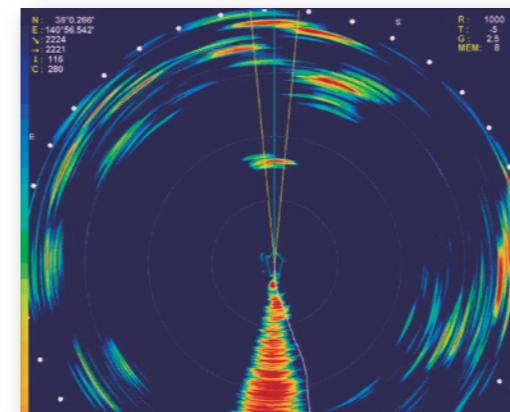


Fish detection (sample image)

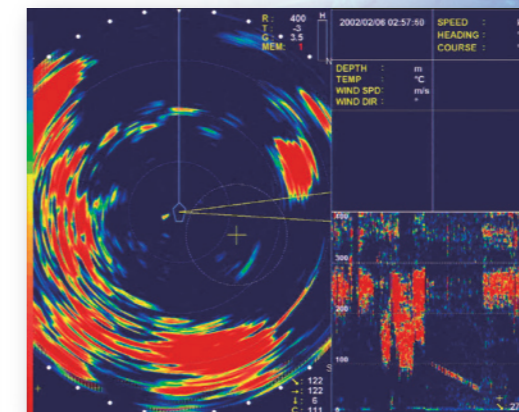
### Multiple display mode

Horizontal screen can be chosen from display mode of normal, full, and multi screen.

By using off-center function of normal and multi-screen, own boat direction can move all around. In others, following selections are available: (1) fish-finder screen showing fish finder image on the side of horizontal screen and (2) audio screen showing sound signal image of audio direction.



Full screen mode



Audio screen display

### Compact and easy-to-use remote controller

Your favorite maximum 10 different sonar setting patterns can be memorized in the <sonar memory> function, which enables you to recall suitable sonar settings for different fishing grounds and fish target easily with one touch finger operation. Five kinds of shortcut function keys can be preset to recall and play your useful functions with simple operation and multiple display modes you like can be played with one touch key.



RC-17 remote controller

### Reliable and tough transducer

With our own unique designed guide ring introduced for all of our hull unit as standard option is reduced swaying and shaking of transducer and increasing safe and reliability on the hull unit and our original stainless steel dome housing like "protection armor" on the sensor transducer protects inside transducer elements against accidents and offers easy maintenance and longer life-time of sensor transducer.