

**Display section:**  
PPI image by TFT liquid crystal color display

**Frequency:**  
SCS-88 Lb: 88kHz  
SCS-88 Lc: 94kHz

**Display resolution:**  
SXGA(1280×1024)

**Display colors:**  
Sonar image —32-color display  
Character —4-color display  
Marker —2-color display

**Display modes:**  
Head-up, north-up, and true motion (\*External signals are necessary)

**Additional modes:**  
Stabilization (±20-degree compensation),  
off-center (enlarged 1.5 times in a desired direction)

**Simultaneous screen modes:**  
Vertical section screen (1 direction, 2directions, enlarged screen),  
sonar 2 directions (lengthwise, crosswise), memory image, audio image,  
full screen, multiple screen, fish finder image

**Ranges:**  
Any 15 ranges can be selected out of 150, 200, 250, 300, 400, 500,  
600, 700, 800, 900, 1000, 1200, 1400, 1500, 1600, 1800, 2000,  
2500, 3000, 4000, and 5000.  
The range is enlarged 1.5 times for off-center. (not available over 5000m)

**Receiving method:**  
Super heterodyne method, real-time beam method, and forming method

**Transmission method:**  
OMNI transmission

**Audio frequency:**  
800Hz

**Tilt angle range:**  
3° upward-60° degrees downward

**Section detection range:**  
0° -60° downward

**Beam (at -3dB):**  
Transmission-Horizontal 360° ×7°  
Receiving-Horizontal 8° ×8°

**Additional functions:**  
Interference elimination, signal processing, clutter, TVG, AGC, memory card,  
and auto tilt angle functions

**Display marks:**  
Own ship mark, wake mark, cross-line cursor, event mark (max.10 event  
marks),bow mark, direction mark, cast-net mark, tidal current mark and other  
marks. (\*Some marks are displayed only when external signals are input.)

**External signal input:**  
NMEA0183 Four inputs available with NMEA 0183.  
NMEA0183 Own ship position, ship speed, ship speed bearing, seabed  
depth, sea water temperature, and bow bearing

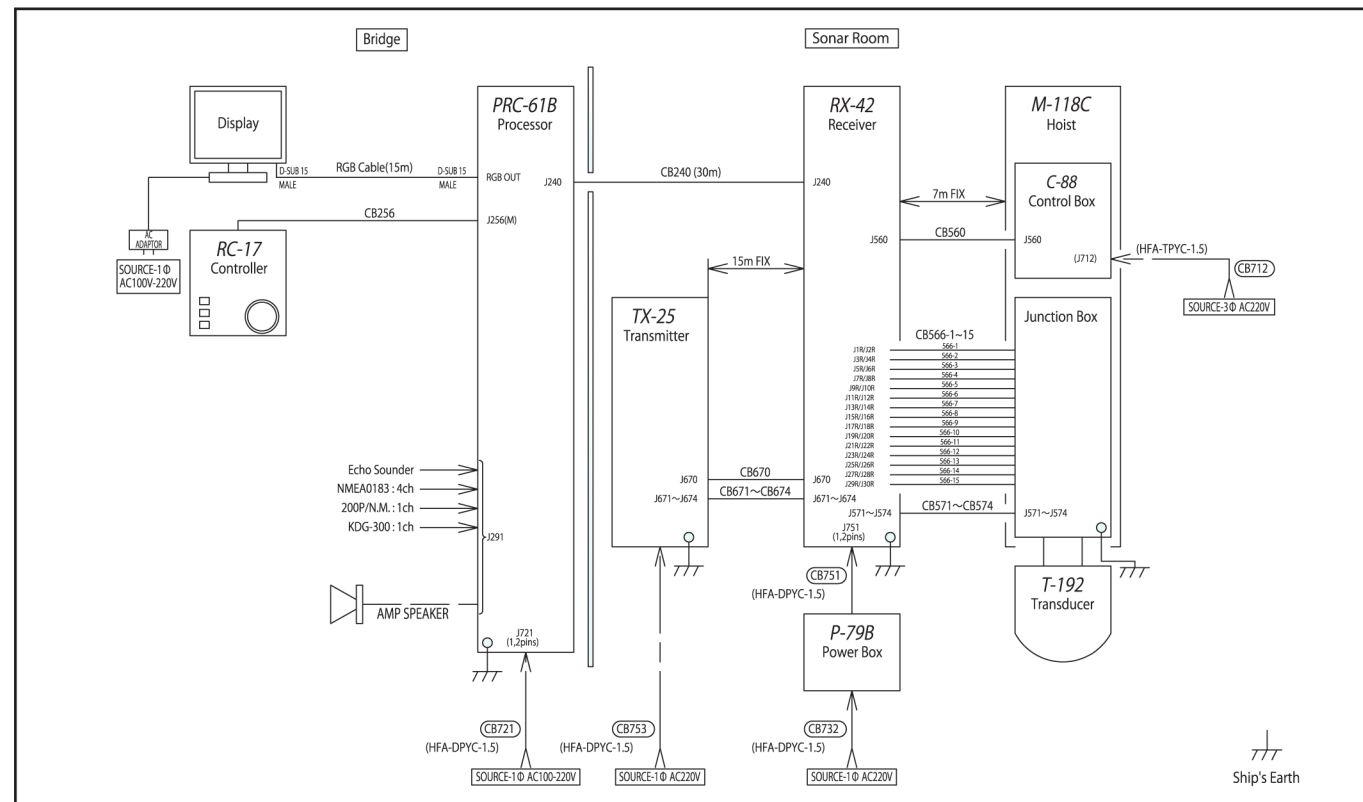
**Hoist unit stroke:**  
LL=1350mm, L=1000mm

**Power supply:**  
Processing Single-phase 100~200VAC, 50/60 Hz, and 400VA  
Receiving Single-phase 220VAC, 50/60 Hz, and 600VA  
Transmitting Single-phase 220VAC, 50/60Hz, and 500VA  
Hoist unit 3-phase 220VAC, 50/60Hz, and 1500VA

**Measurement(W×H×D) & Weight:**

I-133 LCD	460mm×430mm×345mm	24Kg
RC-17 Remote Controller	246mm×158mm×46mm	1Kg
PRC-61B Processor	280mm×450mm×388mm	21Kg
TX-25 Transmitter	532mm×670mm×440mm	85Kg
RX-42 Receiver	665mm×754mm×445mm	95Kg
P-79B Power Box	215mm×335mm×153mm	12Kg
M-118C-LL Hoist	690mm×3510mm×714mm	510Kg

(With T-192 Transducer)



⚠ SAFETY PRECAUTION : Please be sure to read the Instruction Manual before operating  
● Specifications are subject to change without prior notice for improvement.



**TORKAR MARİN**  
Elektronik Servis ve Ticaret A.Ş.

Ortaklar Cad. Nur Apt. No.:11 D:3  
34394 Mecidiyeköy - İSTANBUL  
Tel.: 90(212) 217 97 47-217 97 48  
Fax.:90(212) 217 97 45  
e-mail: torkarmarin@dposta.net  
Web : www.torkarmarin.com

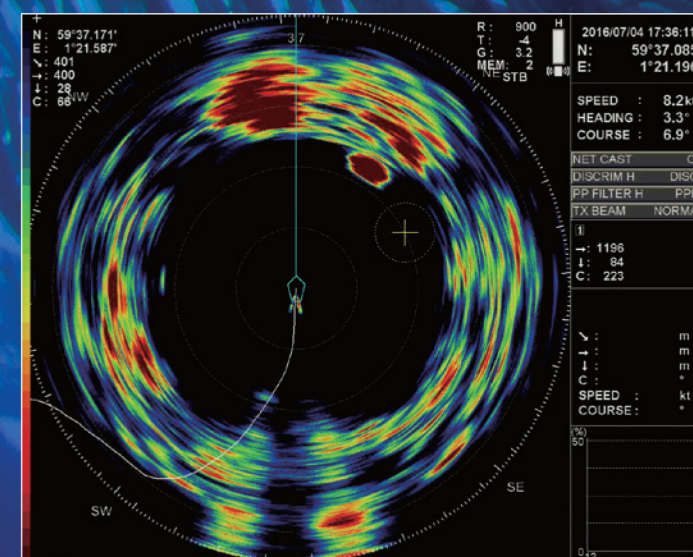
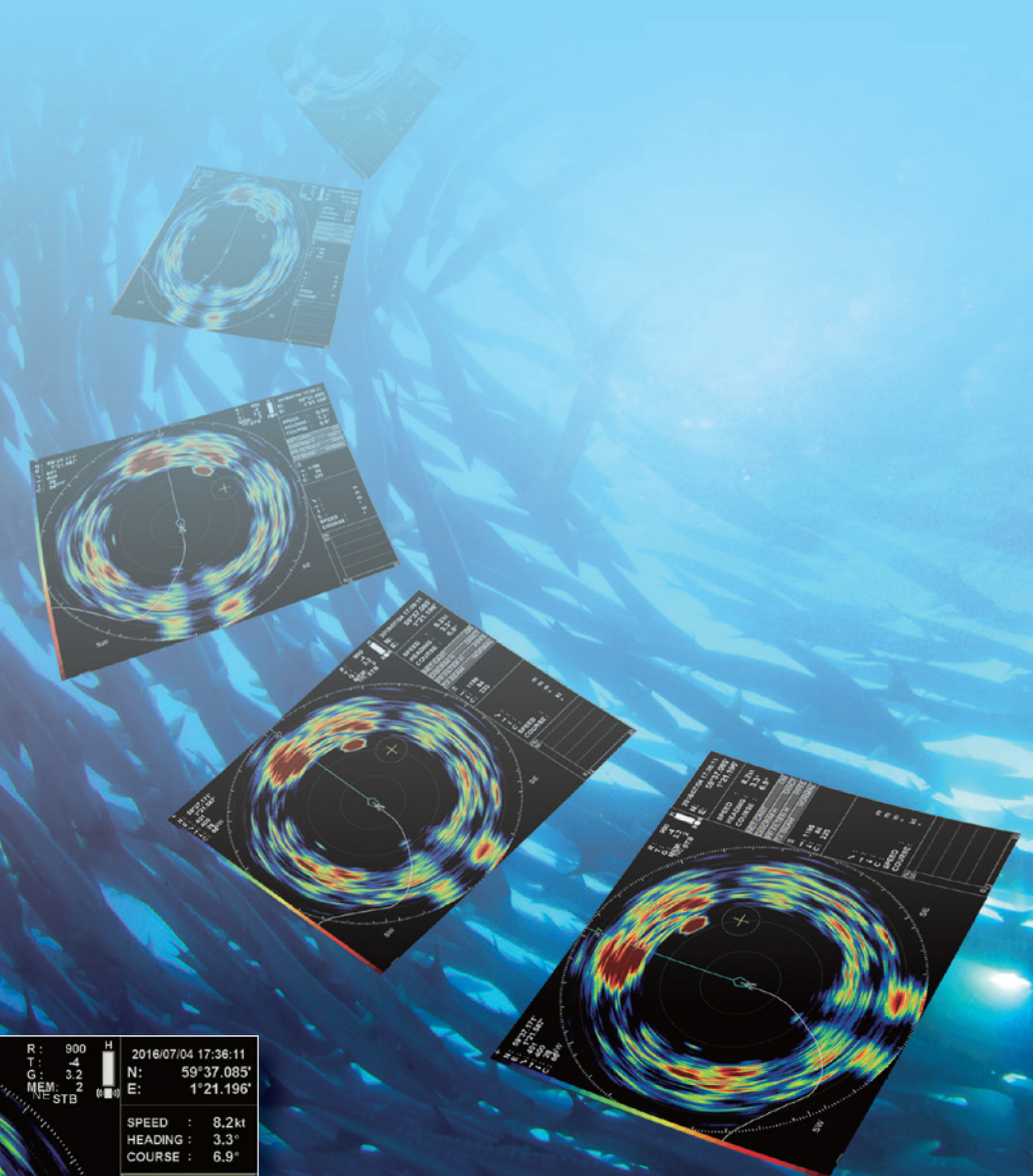
ISO 9001  
JQA-QMA13079  
MS JAB  
CM009

10-22, Higashimatsubara, Hakonegasaki, Mizuhomachi, Nishitama-gun, Tokyo, Japan 190-1295  
TEL: +81-42-568-3210 FAX +81-42-568-3310  
Email: info@u-sonic.co.jp URL: www.u-sonic.co.jp

SCS series  
High Frequency, High Resolution

# Scanning Sonar

# SCS-88





## High Frequency Scanning Sonar!!

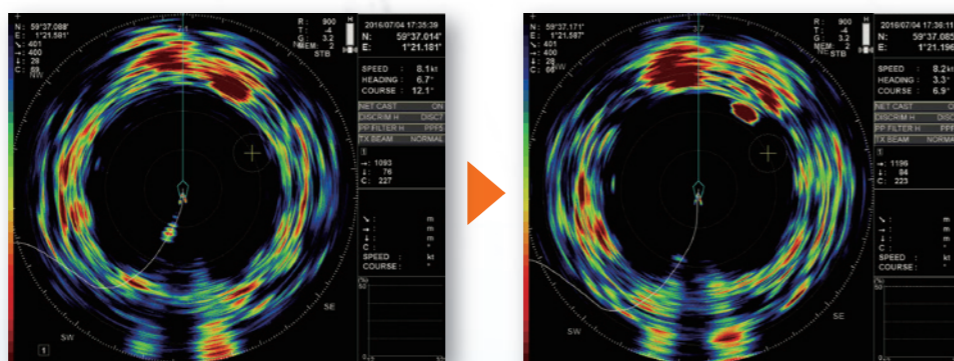
New Digital Signal Processing enables and enhances skippers' ability to detect fish from short to long ranges.

- One touch memory keys to recall suitable settings for your fishing style and conditions.
- Multiple display selection with dual portrait or landscape mode.
- Suitable for bonito, tuna, squid fishing as well as detection for fish on the sea-bed.
- Stable fish echo image with advanced processor system and stabilize function even under rough sea conditions.
- New fish tracking and fish volume estimation functions support your effective fishing.
- On-demand variety kinds of display modes helps your fish detection.
- Hull unit with guide ring offers safety and toughness.
- High maintainability and sturdy transducer with a unique dorm-structure.

Clear fish echo image by high resolution for bonito, tuna as well as fish on the seabed.

Our full-circle high frequency sonar is effective in the detection of bonito and tuna.

To follow the swimming speed, it is not good enough to be dependent upon image processing. In other words, a transducer with strong sound pressure and high sensitivity is required. Our sonar achieves a longer detection range by using a transducer arrayed with thousands of elements around its circumference.



Sample image to detect fish

Compact and easy-to-use remote controller.

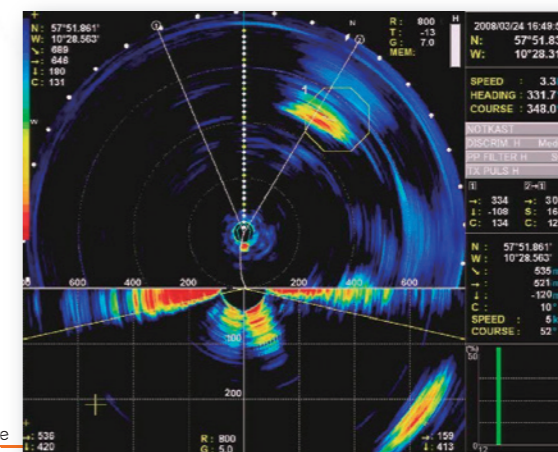
Your favorite maximum 10 different sonar setting patterns can be memorized in <sonar memory> function, which enables you to recall suitable sonar settings for different fishing grounds and fish targets easily with one touch finger operation. The standard normal sonar setting is already memorized in the 11th memory as the default setting which is protected from over-writing, and therefore the standard normal setting can be recalled anytime whenever needed. Five preset keys and a maximum of 8 screen memory keys are for frequent use menu registration.



RC-17 remote controller

Cross section screen with various display modes.

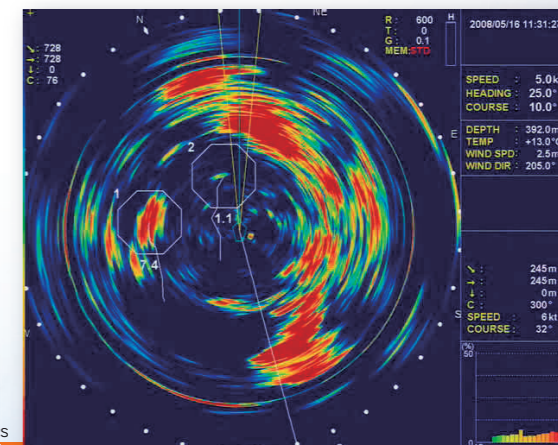
Multiple display modes such as single, dual and magnified screen functions are available for the cross-section mode. Furthermore, the display area in the depth direction is selectable as either large or small. The maximum detection range in the magnified screen mode is 1000m. The ratio between vertical and horizontal directions (distance/depth ratio) can be changed depending on the fishing situation. Thus, detailed fish school data can be provided even in the cross section mode.



Cross section mode

New functions with high resolution and greater detection capability change your fishing style.

A new function to track a maximum of 3 different schools of fish has been added. In addition to showing the distance and bearing based on your own ship, the moving speed and direction of the fish schools are indicated on the screen. The fish volume estimation indicates the estimated amount of target fish schools in figures by setting the fish volume beforehand. These new functions have been developed to support your fishing and fish target selection.



Fish tracking and fish estimation functions

Advanced TX/RX stabilization function

The stabilization function controls the depression angle in small 6.0 degree steps through 360 degrees for both transmission and reception.

